

### IMPORTANT INFORMATION

- ⚠ Rated load is 700 pounds, 350 pounds per caster or wheel. **Never exceed rated load.**
- ⚠ Read and follow all labels, instructions, safety and maintenance information before use.
- ⚠ For additional care, use or safety information, or to obtain replacement copies, please call 1-800-451-1903 or visit [www.ezaccess.com](http://www.ezaccess.com).
- ⚠ Do not use if ramp is damaged or unstable.
- ⚠ For wheelchairs and scooters only (not intended for commercial use).
- ⚠ Ramp may be slippery when wet or icy.
- ⚠ Use only if sufficient maneuvering room is available at both ends of the ramp to assure safe travel when entering and exiting the ramp.
- ⚠ Use ramp only with a qualified helper and always use your lap belt.
- ⚠ It is important that you refer to your equipment's (wheelchair or scooter) User Guide for the proper degree of incline or decline and chair direction before attempting ramp use. **Never exceed its recommendations.**

### PACKAGE CONTENTS (SEE FIGS. 2 & 3)

FIG. 2

- **TMER 1:** (A) foot, (H) flap, #6 screws
- **TMER 1.5:** (A) foot, (B) 1½" extension, (H) flap, #6 screws

FIG. 3

- **TMER 2:** (A) foot, (C) 2" extension, (H) flap, #6 screws
- **TMER 3:** (A) foot, (C) 2" extension, (D) 3" extension, (H) flap, #6 screws
- **TMER 4:** foot, (C) 2" extension, (D) 3" extension, (E) 4" extension, (H) flap, #6 screws
- **TMER 5:** (A) foot, (C) 2" extension, (D) 3" extension, (E) 4" extension, (F) 5" extension, (H) flap, #6 screws
- **TMER 6:** (A) foot, (C) 2" extension, (D) 3" extension, (E) 4" extension, (F) 5" extension, (G) 6" extension, (H) flap, #6 screws

### SINGLE RAMP APPLICATION, STANDARD THRESHOLD AND LANDING

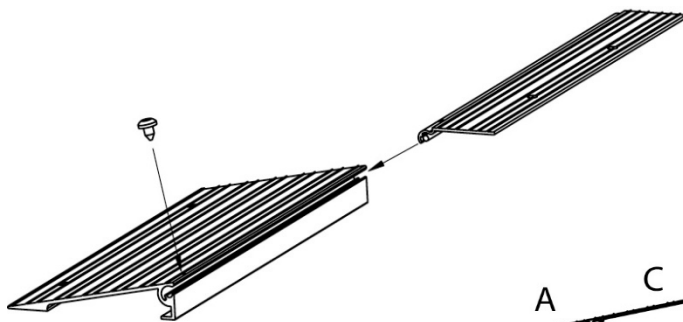
1. Slide sections together starting with the foot (A) until the hole and slot line up. Install #6 screw and tighten (FIG. 1). Continue installing extensions until desired height is reached. Install the flap (H), if used, in the uppermost extension.
2. Place the ramp against the threshold or landing. The adjustable flap should rest on the threshold or landing to provide a smooth surface for your wheels. If the adjustable flap is not used, simply place ramp against the edge of the door runner and attach.
3. Attach your ramp to the threshold or landing using the holes in either the foot section or the flap. Wood screws, sheet metal screws, or concrete bolts may be necessary, depending on the situation. It is also possible to use double face tape or caulking to attach the ramp. Foam rubber or other protective material may be put on the bottom of the legs to protect certain floor surfaces.

### MULTI-RAMP APPLICATIONS, UNEVEN THRESHOLDS OR SLIDING DOORS

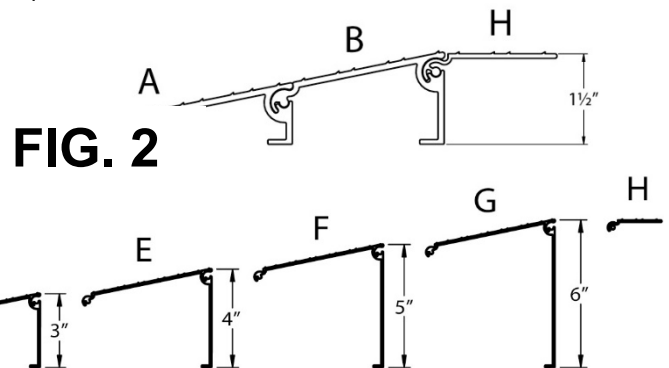
1. There are situations where a second ramp may be needed on the inside of the threshold. If so, then the purchase of a second ramp of equal or different height will be necessary. Follow instructions for single ramp application when installing a second ramp.
2. For sliding door applications, do not use the flap (H). Instead, simply place leg of ramp against edge of door runner and attach per number "3" in SINGLE RAMP APPLICATION section.

### SAFETY & MAINTENANCE

1. Regularly check ramp for damage and tighten any loose fasteners.
2. Keep ramp surface clear of ice, snow, dirt, leaves, and other debris. For snow or ice, remove accumulation and sweep surface clean. To remove dirt, leaves, and other debris, sweeping the surface or using a garden hose will usually suffice. If needed, use a damp cloth or soft brush with non-alkaloid detergent and water. Rinse well and use extra caution if ramp surface is wet.



**FIG. 1**



**FIG. 2**

**FIG. 3**

