



TRANSITIONS® Modular Entry Mat

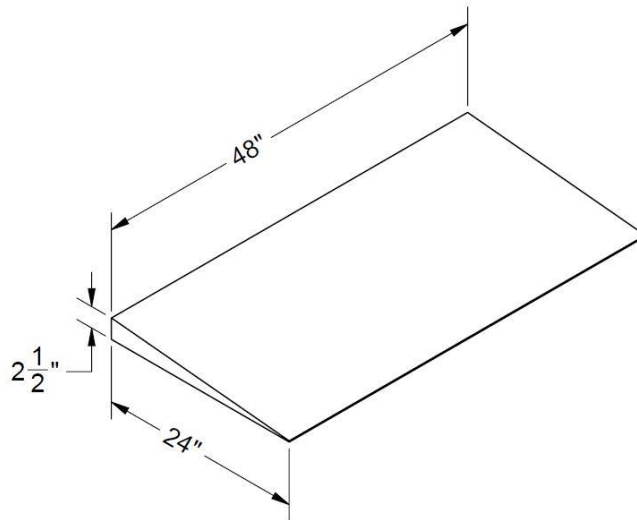
Technical Specifications

MODEL	TMEM 2.5-1	TMEMR 2.25
MADE 100% RECYCLED RUBBER	✓	✓
SLIP-RESISTANT SURFACE	✓	✓
USABLE SIZE (H x L x W)	2.5" x 24" x 48"	2.25" x 24" x 24" per riser (2 each)
OVERALL SIZE (H x L x W)	2.5" x 24" x 48"	2.25" x 24" x 24" per riser (2 each)
WEIGHT*	40 lbs.	23.5 lbs. per riser (2 each)
WEIGHT CAPACITY (DO NOT EXCEED)	850 lbs.	850 lbs.
FOR WHEELCHAIRS & SCOOTERS	✓	✓
USAGE GUIDELINES (RISE)**	2.5"	Call Customer Service for Details ***
WARRANTY	Lifetime Limited	Lifetime Limited

* Weights and dimensions are approximate and subject to change.

** Consult your equipment's owner guide for proper degree of incline. Never exceed its recommendations.

TMEM 2.5-1



TMEMR 2.25

